

# Pro-Scale

## Lime Scale Remover

### PRO-SCALE



Pro-Scale removes lime scale, slime and algae build-up from heat exchangers, cooling towers, piping, and condensers. Pro-Scale will increase system efficiency and reduce head pressure.

- **Removes scale, slime and algae buildup**
- **Improves system efficiency**
- **Increases system capacity**

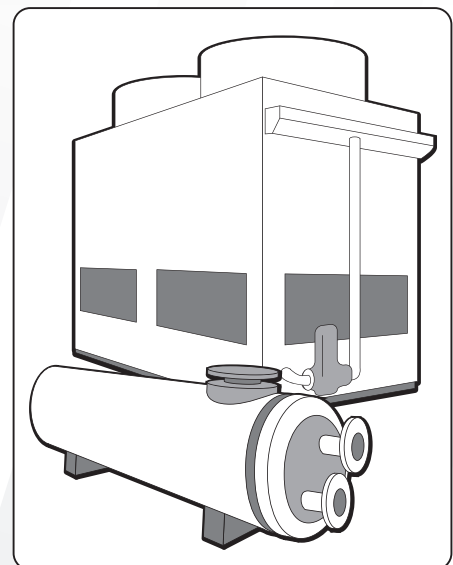
**INSTRUCTIONS:** Wear eye and skin protection when using the product to avoid irritation. When cleaning the system, ensure that the pump and compressor are working normally. Add three litres of Pro-Scale for each 100 litres of water in the system. Turn off bleed line, and allow Pro-Scale to circulate through the system for 24 to 48 hours. Drain the system, or increase the bleed rate 2-3 times above the normal setting to dilute Pro-Scale and flush the system. Pro-Scale solution will change colour from red to yellow as it dissolves scale. If the system water turns yellow, add more Pro-Scale until the system water turns red, and continue to circulate Pro-Scale through the system. Repeat the process until the Pro-Scale solution maintains red colour. Drain the system and flush with fresh water. Test Pro-Scale on a small area to be certain it is suitable for tower and basin cleaning. Galvanised surfaces may require special treatment.



**Corrosive**

**CAUTION :** Orthophosphoric acid: EC number 231-633-2 and Hydroxyacetic acid: EC number 201-180-5

Causes burns. In case of contact with eyes, rinse immediately with plenty of water and seek medical advice. After contact with skin, wash immediately with plenty of soap and water. Wear suitable protective clothing, gloves and eye / face protection. In case of accident or if you feel unwell, seek medical advice immediately (show the label where possible). This material and its container must be disposed of as hazardous waste. Keep out of reach of children.



Material Safety Data Sheet available for professional user on request.