

R.E.S.L

Richmonds Earl Shilton Limited

Specialist Distributors of Compressors and Refrigeration Spares

Model: NTZ048

Technical data

Cylinder count:	1
Displacement [m ³ /h]:	8,4
Cylinder capacity [cm ³]:	48
RPM [min ⁻¹]:	2900
Weight [kg]:	21
Oil charge [dm ³]:	0,95
Oil type:	160Z
Crankcase heater type:	PTC35W
Maximum system test pressure low side / high side:	25 / 30
Maximum number of starts without softstart [1/h]:	12
Refrigerant charge limit [dm ³]:	3
Refrigerant:	R404A
Sound power [dB]:	72
Sound power with acoustic hood [dB]:	65
IP rating:	IP 55

Connections

	inches
Suction Rotolock valve connection:	1 1/4"
Discharge Rotolock valve connection:	1"
Suction connection with supplied sleeve:	5/8"
Discharge connection with supplied sleeve:	1/2"

Approvals

CCC	+
CE	+
UL	+
Gost	+

Richmond's (Earl Shilton) Ltd, 9-11 High Street, Earl Shilton, Leicestershire, LE9 7DH



R.E.S.L

Richmonds Earl Shilton Limited

Specialist Distributors of Compressors and Refrigeration Spares

Model: NTZ048

R404A/R507

Capacity

Cooling capacity [W]

t _c \ t _e	-45	-40	-35	-30	-25	-20	-15	-10
30	532	870	1 286	1 789	2 385	3 083	3 891	4 816
35	434	753	1 142	1 608	2 160	2 804	3 550	4 403
40	-	634	995	1 424	1 931	2 521	3 204	3 987
45	-	515	847	1 239	1 700	2 236	2 856	3 567
50	-	396	699	1 054	1 469	1 950	2 507	3 145
55	-	-	553	870	1 238	1 664	2 157	2 723
60	-	-	-	688	1 009	1 380	1 808	2 302

Power input [W]

t _c \ t _e	-45	-40	-35	-30	-25	-20	-15	-10
30	497	698	899	1 091	1 268	1 420	1 541	1 622
35	457	671	889	1 103	1 305	1 487	1 642	1 762
40	-	635	868	1 102	1 328	1 539	1 727	1 884
45	-	588	835	1 087	1 336	1 574	1 794	1 986
50	-	528	789	1 058	1 328	1 592	1 842	2 069
55	-	-	727	1 012	1 302	1 591	1 869	2 129
60	-	-	-	947	1 257	1 568	1 874	2 166

Current [A]

t _c \ t _e	-45	-40	-35	-30	-25	-20	-15	-10
30	1.76	1.92	2.09	2.28	2.48	2.67	2.84	3.00
35	1.73	1.90	2.09	2.30	2.52	2.75	2.96	3.16
40	-	1.87	2.08	2.31	2.56	2.81	3.07	3.31
45	-	1.83	2.05	2.30	2.58	2.87	3.16	3.45
50	-	1.78	2.01	2.28	2.58	2.90	3.23	3.56
55	-	-	1.96	2.25	2.57	2.92	3.28	3.65
60	-	-	-	2.19	2.54	2.92	3.31	3.73

Richmond's (Earl Shilton) Ltd, 9-11 High Street, Earl Shilton, Leicestershire, LE9 7DH



R.E.S.L

Richmonds Earl Shilton Limited

Specialist Distributors of Compressors and Refrigeration Spares

Model: NTZ048

Mass flow [kg/s]

Capacity

$t_c \setminus t_e$	-45	-40	-35	-30	-25	-20	-15	-10
30	12.74	20.95	31.01	43.25	57.96	75.47	96.07	120.08
35	10.97	19.16	29.10	41.11	55.50	72.57	92.64	116.02
40	-	17.12	26.92	38.69	52.74	69.36	88.88	111.61
45	-	14.82	24.47	35.98	49.66	65.82	84.78	106.83
50	-	12.26	21.73	32.96	46.26	61.94	80.31	101.68
55	-	-	18.68	29.62	42.52	57.70	75.47	96.14
60	-	-	-	25.95	38.44	53.10	70.25	90.19

C.O.P. [W/W]

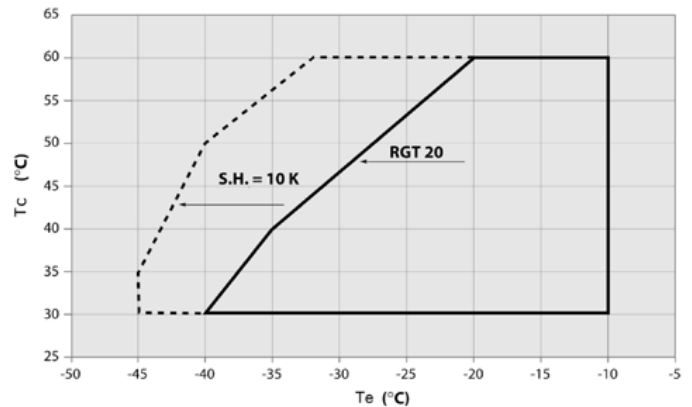
$t_c \setminus t_e$	-45	-40	-35	-30	-25	-20	-15	-10
30	1.07	1.25	1.43	1.64	1.88	2.17	2.52	2.97
35	0.95	1.12	1.28	1.46	1.66	1.89	2.16	2.50
40	-	1.00	1.15	1.29	1.45	1.64	1.86	2.12
45	-	0.88	1.01	1.14	1.27	1.42	1.59	1.80
50	-	0.75	0.89	1.00	1.11	1.22	1.36	1.52
55	-	-	0.76	0.86	0.95	1.05	1.15	1.28
60	-	-	-	0.73	0.80	0.88	0.96	1.06

Operating conditions: suction gas return temperature: 20°C, subcooling: 0 K

t_c - Condensing temperature [°C]

t_e - Evaporating temperature [°C]

Application range



Richmond's (Earl Shilton) Ltd, 9-11 High Street, Earl Shilton, Leicestershire, LE9 7DH



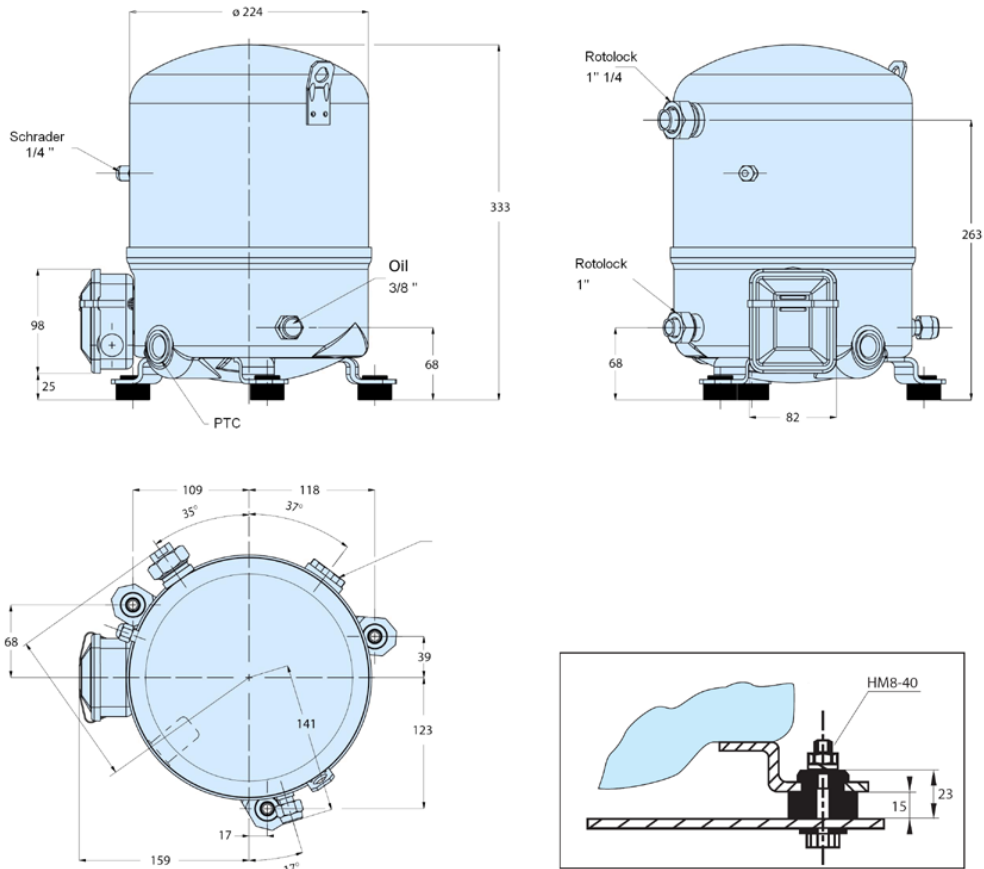
R.E.S.L

Richmonds Earl Shilton Limited

Specialist Distributors of Compressors and Refrigeration Spares

Model: NTZ048

Dimensions



Richmond's (Earl Shilton) Ltd, 9-11 High Street, Earl Shilton, Leicestershire, LE9 7DH



R.E.S.L

Richmonds Earl Shilton Limited

Specialist Distributors of Compressors and Refrigeration Spares

Model: NTZ048

Image



Richmond's (Earl Shilton) Ltd, 9-11 High Street, Earl Shilton, Leicestershire, LE9 7DH



R.E.S.L

Richmonds Earl Shilton Limited

Specialist Distributors of Compressors and Refrigeration Spares

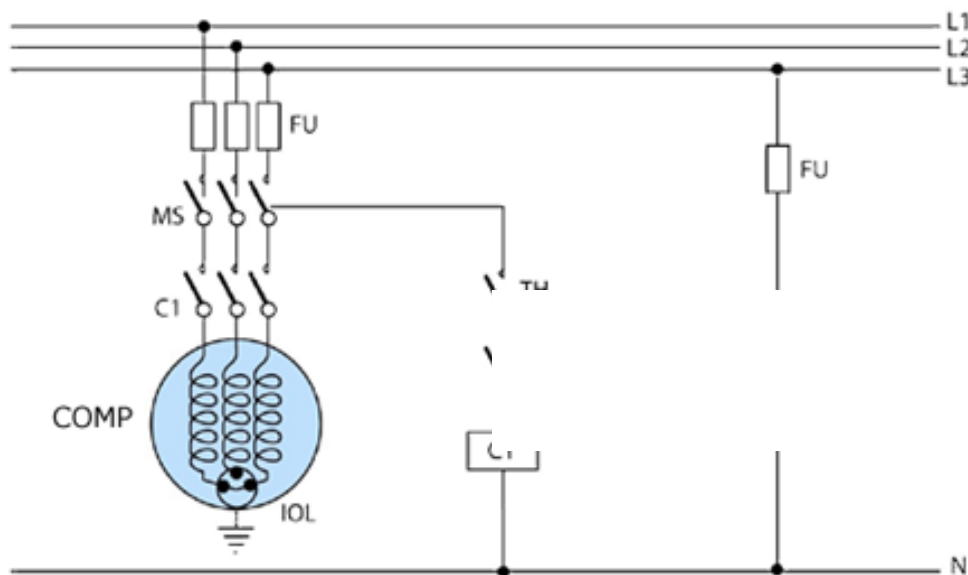
Model: NTZ048

Electrical

Electrical data

Starting current [A]:	16
Maximum Continuous Current (MCC) [A]:	4,8
Winding resistance (between phases) [Ω]:	11,55

Three-phase power supply



FU: Fuses

C1: Compressor contactor

EC: Outside sensors

PTC: Oil heater

MS: Main switch

TH: Thermostat

COMP: Compressor

IOL: Internal motor protection

Richmond's (Earl Shilton) Ltd, 9-11 High Street, Earl Shilton, Leicestershire, LE9 7DH



R.E.S.L

Richmonds Earl Shilton Limited

Specialist Distributors of Compressors and Refrigeration Spares

Model: NTZ048

Equipment

Equipment

- ▶ crankcase heater - PTC35W
- ▶ belt type heater - crankcase heater 55W, 230V
- ▶ Rotolock valves
 - suction: Rotolock valve connection 1 1/4", connection with supplied sleeve 5/8"
 - discharge: Rotolock valve connection 1", connection with supplied sleeve 1/2"
- ▶ soft-start kit - electronic softstart MCI 15C
- ▶ acoustic hood - acoustic shield of Danfoss catalogue number 7755001

Richmond's (Earl Shilton) Ltd, 9-11 High Street, Earl Shilton, Leicestershire, LE9 7DH

