

R.E.S.L

Richmonds Earl Shilton Limited

Specialist Distributors of Compressors and Refrigeration Spares

Model: NTZ068

Technical data

Cylinder count:	1
Displacement [m ³ /h]:	11,8
Cylinder capacity [cm ³]:	68
RPM [min ⁻¹]:	2900
Weight [kg]:	23
Oil charge [dm ³]:	0,95
Oil type:	160Z
Crankcase heater type:	PTC35W
Maximum system test pressure low side / high side:	25 / 30
Maximum number of starts without softstart [1/h]:	12
Refrigerant charge limit [dm ³]:	3
Refrigerant:	R404A
Sound power [dB]:	71
Sound power with acoustic hood [dB]:	64
IP rating:	IP 55

Connections

	<u>inches</u>
Suction Rotolock valve connection:	1 1/4"
Discharge Rotolock valve connection:	1"
Suction connection with supplied sleeve:	5/8"
Discharge connection with supplied sleeve:	1/2"

Approvals

CCC	+
CE	+
UL	+
Gost	+

Richmond's (Earl Shilton) Ltd, 9-11 High Street, Earl Shilton, Leicestershire, LE9 7DH



R.E.S.L

Richmonds Earl Shilton Limited

Specialist Distributors of Compressors and Refrigeration Spares

Model: NTZ068

R404A/R507

Capacity

Cooling capacity [W]

t _c \ t _e	-45	-40	-35	-30	-25	-20	-15	-10
30	890	1 363	1 962	2 702	3 600	4 670	5 928	7 390
35	738	1 183	1 742	2 431	3 266	4 262	5 434	6 799
40	-	997	1 515	2 151	2 921	3 840	4 925	6 190
45	-	810	1 283	1 864	2 567	3 408	4 403	5 567
50	-	623	1 051	1 574	2 209	2 970	3 873	4 933
55	-	-	822	1 286	1 849	2 528	3 337	4 292
60	-	-	-	1 001	1 491	2 086	2 799	3 647

Power input [W]

t _c \ t _e	-45	-40	-35	-30	-25	-20	-15	-10
30	835	1 119	1 396	1 659	1 905	2 127	2 322	2 483
35	777	1 080	1 384	1 682	1 969	2 242	2 494	2 721
40	-	1 026	1 352	1 681	2 007	2 326	2 632	2 920
45	-	958	1 303	1 658	2 019	2 379	2 735	3 081
50	-	875	1 236	1 614	2 005	2 404	2 805	3 204
55	-	-	1 152	1 549	1 966	2 399	2 843	3 291
60	-	-	-	1 463	1 904	2 367	2 848	3 343

Current [A]

t _c \ t _e	-45	-40	-35	-30	-25	-20	-15	-10
30	2.87	3.14	3.38	3.60	3.83	4.07	4.36	4.70
35	2.84	3.14	3.41	3.67	3.93	4.22	4.54	4.93
40	-	3.12	3.43	3.73	4.04	4.37	4.74	5.18
45	-	3.08	3.43	3.78	4.14	4.52	4.95	5.44
50	-	2.99	3.40	3.80	4.21	4.65	5.14	5.69
55	-	-	3.32	3.78	4.25	4.75	5.30	5.92
60	-	-	-	3.70	4.24	4.81	5.43	6.12

Richmond's (Earl Shilton) Ltd, 9-11 High Street, Earl Shilton, Leicestershire, LE9 7DH



R.E.S.L

Richmonds Earl Shilton Limited

Specialist Distributors of Compressors and Refrigeration Spares
Model: NTZ068

Mass flow [kg/s]

Capacity

$t_c \setminus t_e$	-45	-40	-35	-30	-25	-20	-15	-10
30	21.27	32.90	47.39	65.37	87.43	114.17	146.19	184.10
35	18.61	30.12	44.43	62.16	83.90	110.25	141.83	179.22
40	-	26.92	40.98	58.39	79.74	105.64	136.70	173.51
45	-	23.32	37.06	54.07	74.96	100.34	130.81	166.96
50	-	19.32	32.65	49.20	69.57	94.35	124.16	159.59
55	-	-	27.77	43.79	63.56	87.68	116.75	151.38
60	-	-	-	37.84	56.94	80.32	108.59	142.36

C.O.P. [W/W]

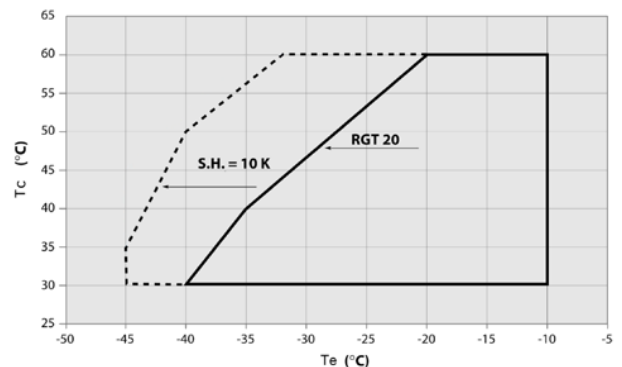
$t_c \setminus t_e$	-45	-40	-35	-30	-25	-20	-15	-10
30	1.07	1.22	1.41	1.63	1.89	2.20	2.55	2.98
35	0.95	1.09	1.26	1.45	1.66	1.90	2.18	2.50
40	-	0.97	1.12	1.28	1.45	1.65	1.87	2.12
45	-	0.85	0.98	1.12	1.27	1.43	1.61	1.81
50	-	0.71	0.85	0.98	1.10	1.24	1.38	1.54
55	-	-	0.71	0.83	0.94	1.05	1.17	1.30
60	-	-	-	0.68	0.78	0.88	0.98	1.09

Operating conditions: suction gas return temperature: 20°C, subcooling: 0 K

t_c - Condensing temperature [°C]

t_e - Evaporating temperature [°C]

Application range



Richmond's (Earl Shilton) Ltd, 9-11 High Street, Earl Shilton, Leicestershire, LE9 7DH



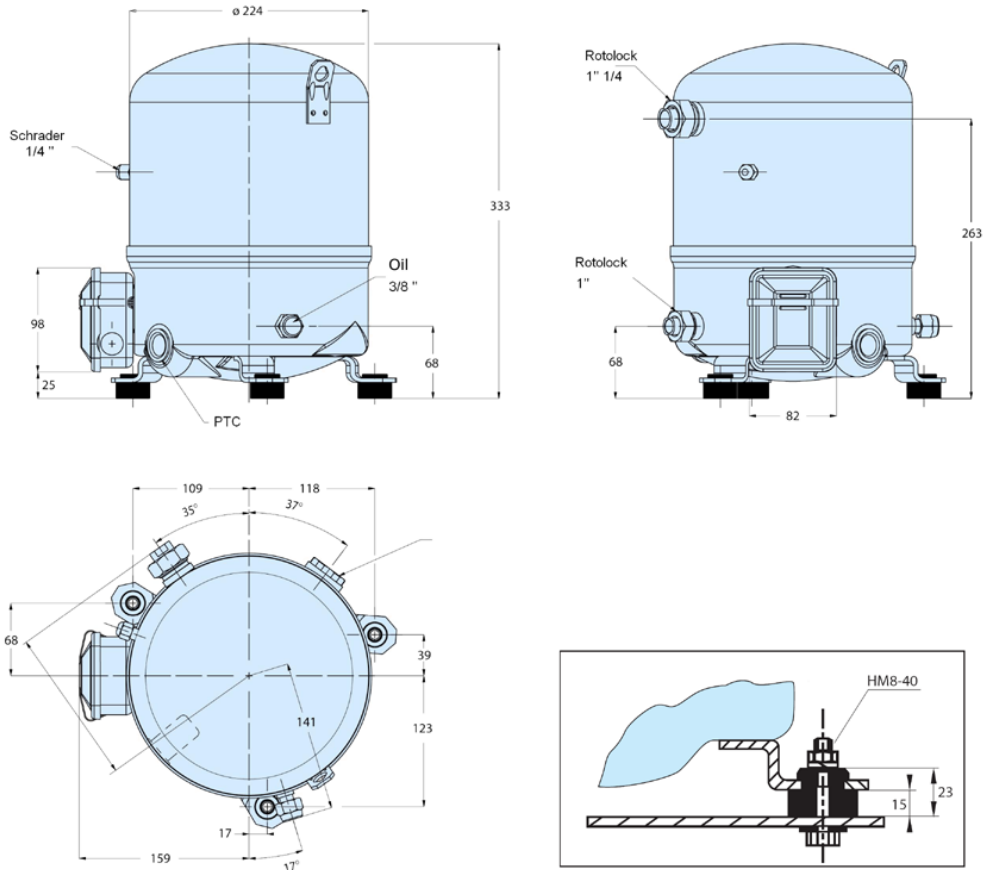
R.E.S.L

Richmonds Earl Shilton Limited

Specialist Distributors of Compressors and Refrigeration Spares

Model: NTZ068

Dimensions



Richmond's (Earl Shilton) Ltd, 9-11 High Street, Earl Shilton, Leicestershire, LE9 7DH



R.E.S.L

Richmonds Earl Shilton Limited

Specialist Distributors of Compressors and Refrigeration Spares

Model: NTZ068

Image



Richmond's (Earl Shilton) Ltd, 9-11 High Street, Earl Shilton, Leicestershire, LE9 7DH



R.E.S.L

Richmonds Earl Shilton Limited

Specialist Distributors of Compressors and Refrigeration Spares

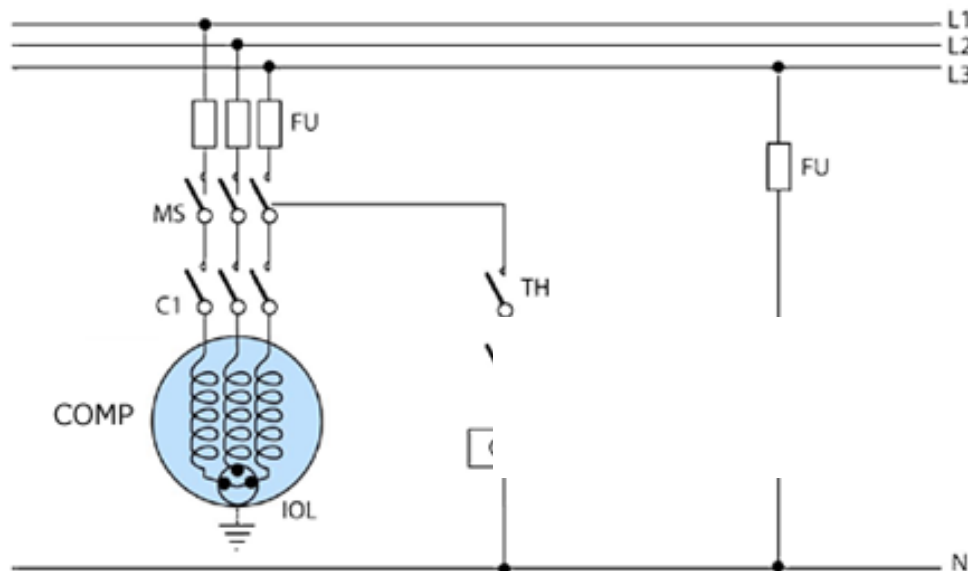
Model: NTZ068

Electrical

Electrical data

Starting current [A]:	25
Maximum Continuous Current (MCC) [A]:	8,4
Winding resistance (between phases) [Ω]:	7,11

Three-phase power supply



FU: Fuses

C1: Compressor contactor

EC: Outside sensors

PTC: Oil heater

MS: Main switch

TH: Thermostat

COMP: Compressor

IOL: Internal motor protection

Richmond's (Earl Shilton) Ltd, 9-11 High Street, Earl Shilton, Leicestershire, LE9 7DH



R.E.S.L

Richmonds Earl Shilton Limited

Specialist Distributors of Compressors and Refrigeration Spares

Model: NTZ068

Equipment

Equipment

- ▶ crankcase heater - PTC35W
- ▶ belt type heater - crankcase heater 55W, 230V
- ▶ Rotalock valves
 - suction: Rotalock valve connection 1 1/4", connection with supplied sleeve 5/8"
 - discharge: Rotalock valve connection 1", connection with supplied sleeve 1/2"
- ▶ soft-start kit - electronic softstart MCI 15C
- ▶ acoustic hood - acoustic shield of Danfoss catalogue number 7755001

Richmond's (Earl Shilton) Ltd, 9-11 High Street, Earl Shilton, Leicestershire, LE9 7DH

