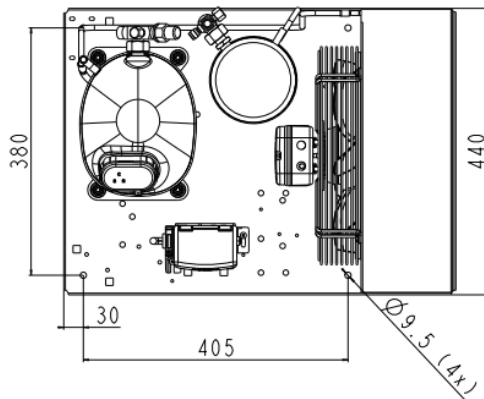
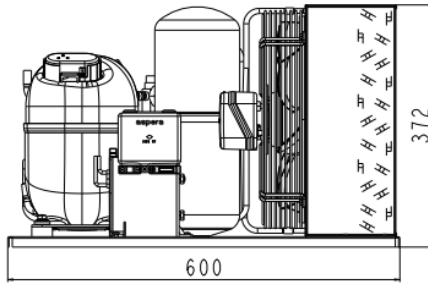


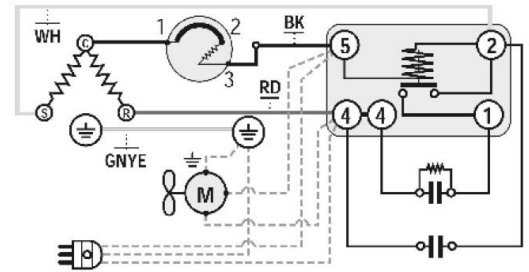
## GENERAL DATA

<b>Application:</b>	M/HBP
<b>Refrigerant:</b>	R404A
<b>Expansion Device:</b>	C-V
<b>Weight:</b>	46.1 kg
<b>Receiver:</b>	3.9 liter
<b>Voltage/Frequency:</b>	220 - 240 V 50 Hz ~
<b>Height:</b>	372 mm
<b>Length:</b>	600 mm
<b>Width:</b>	440 mm
<b>Institute Approvals:</b>	CE

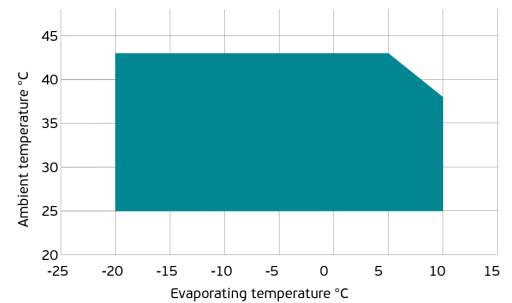
## EXTERNAL DIMENSIONS



## WIRING DIAGRAM



## OPERATING ENVELOPE



## COMPONENTS (SPARE PARTS)

<b>Valve Suction:</b>	SOLDER 5/8"	2110054
<b>Compressor:</b>	NJ9232GK	943NA19..AC
<b>Fan Kit:</b>	S4E300-XX	1996589

<b>Electrical Kit:</b>	ELKOM NJ9232GK	943NA1104A
<b>Condenser:</b>	3R14T	2451198
<b>Valve Discharge:</b>	SOLDER 1/2"	2110050

For additional accessories please contact our technical support

**NOISE DATA**

**Sound power level:** 0 dB (A)  
**Sound pressure level dB (A):** 0 (at 1m) | 0 (at 5m) | 0 (at 10m)  
 Maximum noise at maximum ambient temperature, 20°C return gas, configurations voltage and frequency.

**ELECTRICAL DATA**

**Motor Type:** CSR -  
**Locked Rotor Amperage (RLA):** 43 A  
**Max.Current:** 8.12 A  
 At maximum evaporating temperature and maximum ambient temperature.

**FAN MOTOR**

**Number:** 1 -  
**Shaft Power:** 95 W  
**Air Flow:** 1450 m<sup>3</sup>/hod  
**Blade Diameter:** 0 mm

**PERFORMANCE DATA**

Standard: EN13215 / return gas 20°C, subcooling 3K

50 Hz

	Evaporating Temperature (°C)	Cooling Capacity (W)	Power Consumption (W)	Current Consumption (A)	Efficiency (W/W)
25°C Ambient Temperature	10°C	3 794	1845.27	8.64	2.06
	5°C	3 388	1679.57	7.87	2.02
	0°C	2 993	1526.11	7.17	1.96
	-5°C	2 608	1385.03	6.53	1.88
	Rated point -10°C	2 236	1256.44	5.95	1.78
	-15°C	1 875	1140.48	5.44	1.64
	-20°C	1 526	1037.27	4.99	1.47
32°C Ambient Temperature	10°C	3 450	1902.84	8.91	1.81
	5°C	3 080	1731.71	8.12	1.78
	0°C	2 720	1573.58	7.39	1.73
	-5°C	2 371	1428.33	6.73	1.66
	Rated point -10°C	2 033	1295.83	6.13	1.57
	-15°C	1 705	1175.96	5.60	1.45
	-20°C	1 388	1068.58	5.14	1.30
43°C Ambient Temperature	5°C	2 757	1801.77	8.45	1.53
	0°C	2 468	1636.20	7.69	1.51
	-5°C	2 102	1490.47	7.02	1.41
	Rated point -10°C	1 719	1358.45	6.42	1.27
	-15°C	1 379	1234.00	5.86	1.12
	-20°C	1 142	1111.00	5.33	1.03