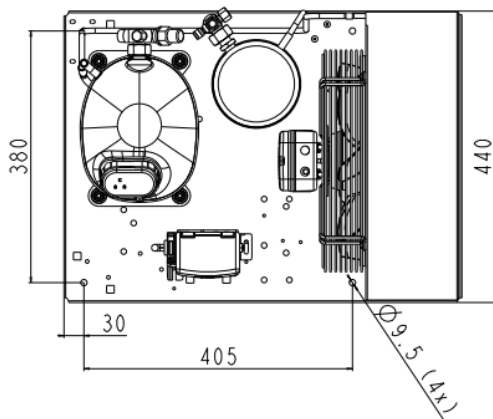
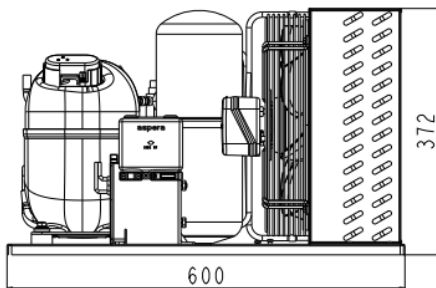


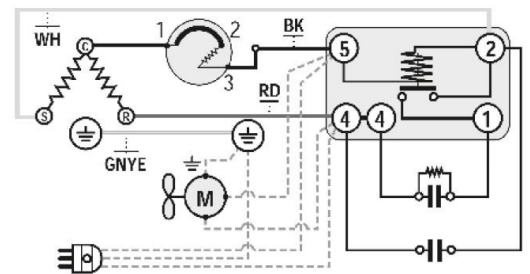
### GENERAL DATA

<b>Application:</b>	M/HBP
<b>Refrigerant:</b>	R404A
<b>Expansion Device:</b>	C-V
<b>Weight:</b>	46.8 kg
<b>Receiver:</b>	3.9 liter
<b>Voltage/Frequency:</b>	<b>230 V 50 ~</b>
<b>Height:</b>	46.8 mm
<b>Length:</b>	600 mm
<b>Width:</b>	440 mm
<b>Institute Approvals:</b>	<b>CE</b>

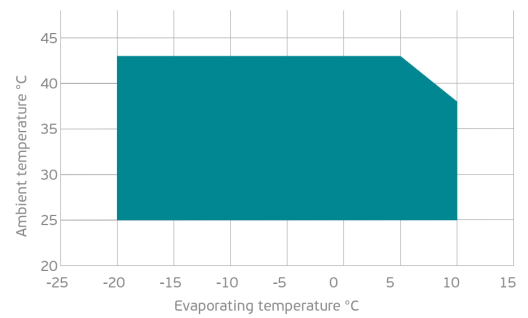
### EXTERNAL DIMENSIONS



### WIRING DIAGRAM



### OPERATING ENVELOPE



### COMPONENTS (SPARE PARTS)

<b>condenser:</b>	4R14T	2451199
<b>fankit:</b>	S4E300-XX	1996589
<b>elkit:</b>	ELKOM NJ9238GK	943RV1904A

<b>valve_suca:</b>	SOLDER 5/8"	2110054
<b>compressor:</b>	NJ9238GK	943RV19..AC
<b>valve_disch:</b>	SOLDER 1/2"	2110050

For additional accessories please contact our technical support

**ELECTRICAL DATA**

**Motor Type:** CSR -  
**Locked Rotor Amperage (RLA):** 43 A  
**Max.Current:** 10.1 A

At maximum evaporating temperature and maximum ambient temperature.

**FAN MOTOR**

**Number:** 1 -  
**Shaft Power:** 95 W  
**Air Flow:** 1300 m<sup>3</sup>/hod  
**Blade Diameter:** - mm

**PERFORMANCE CURVE DATA**

Standard: EN13215 / return gas 20°C, subcooling 3K

50 Hz

	Evaporating Temperature (°C)	Cooling Capacity (W)	Power Consumption (W)	Current Consumption (A)	Efficiency (W)
<b>25°C</b> Ambient Temperature	10°C	4373	2405	11.07	1.82
	5°C	3965	2178	10.03	1.82
	0°C	3554	1966	9.08	1.81
	-5°C	3143	1770	8.22	1.78
	Rated point -10°C	2735	1589	7.45	1.72
	-15°C	2330	1425	6.77	1.64
	-20°C	1931	1276	6.18	1.51
<b>32°C</b> Ambient Temperature	10°C	3989	2480	11.41	1.61
	5°C	3601	2245	10.34	1.60
	0°C	3217	2026	9.36	1.59
	-5°C	2840	1824	8.48	1.56
	Rated point -10°C	2472	1638	7.69	1.51
	-15°C	2114	1468	6.98	1.44
	-20°C	1769	1316	6.37	1.34
<b>43°C</b> Ambient Temperature	5°C	3112	2331	10.74	1.34
	0°C	2727	2099	9.70	1.30
	-5°C	2360	1885	8.76	1.25
	Rated point -10°C	2012	1689	7.91	1.19
	-15°C	1686	1511	7.16	1.12
	-20°C	1383	1351	6.50	1.02