



INDICATIVE PHOTO

General features : RCS3250606

RCS range unit coolers have been designed to be installed inside cold rooms suited for fresh and frozen goods storage

Their shape, being extremely compact, make their installation possible also in cold rooms having very small dimensions

RCS range is available in different combinations of fan spacing dimensions and tube rows properly sized according to the needed applications.

The ED version is supplied with mounted defrosting heaters and is suitable for being used at low temperature applications.

The fan motors operate in the suction mode and prevent the condensate forming on the fan

The coil is made of aluminium fins, 12 mm copper tube and a geometry of 37,5 x 32,5

RCS unit coolers can be classified in three groups according to the needed cold room temperature (Tc): 4mm fin spacing for a Tc from -5°C to +15°C; 6mm fin spacing for a Tc from -20°C to +15°C; 8mm fin spacing for a Tc from -40°C to +4°C

Each fin spacing group is also available with 4 and 6 rows.

The coils are tested with nitrogen at a pressure of 25 bar.

The fan motor models in use have the following features:

Manufactured following EN 60335-1 laws, with internal thermal protection

Fan diameter 250mm

Power supply 230-240V/1/50-60Hz

IP44 protection rate

F insulation class

Operating temperature from -40°C to +40°C

Electrics made in conformity with 2006/95/CE Low Tension directive

The housing is made of aluminium

The manufacturing solutions used give the housing strength and guarantee the absence of vibrations during the functioning.

Screws, washers and nuts are made of stainless steel



INDICATIVE PHOTO

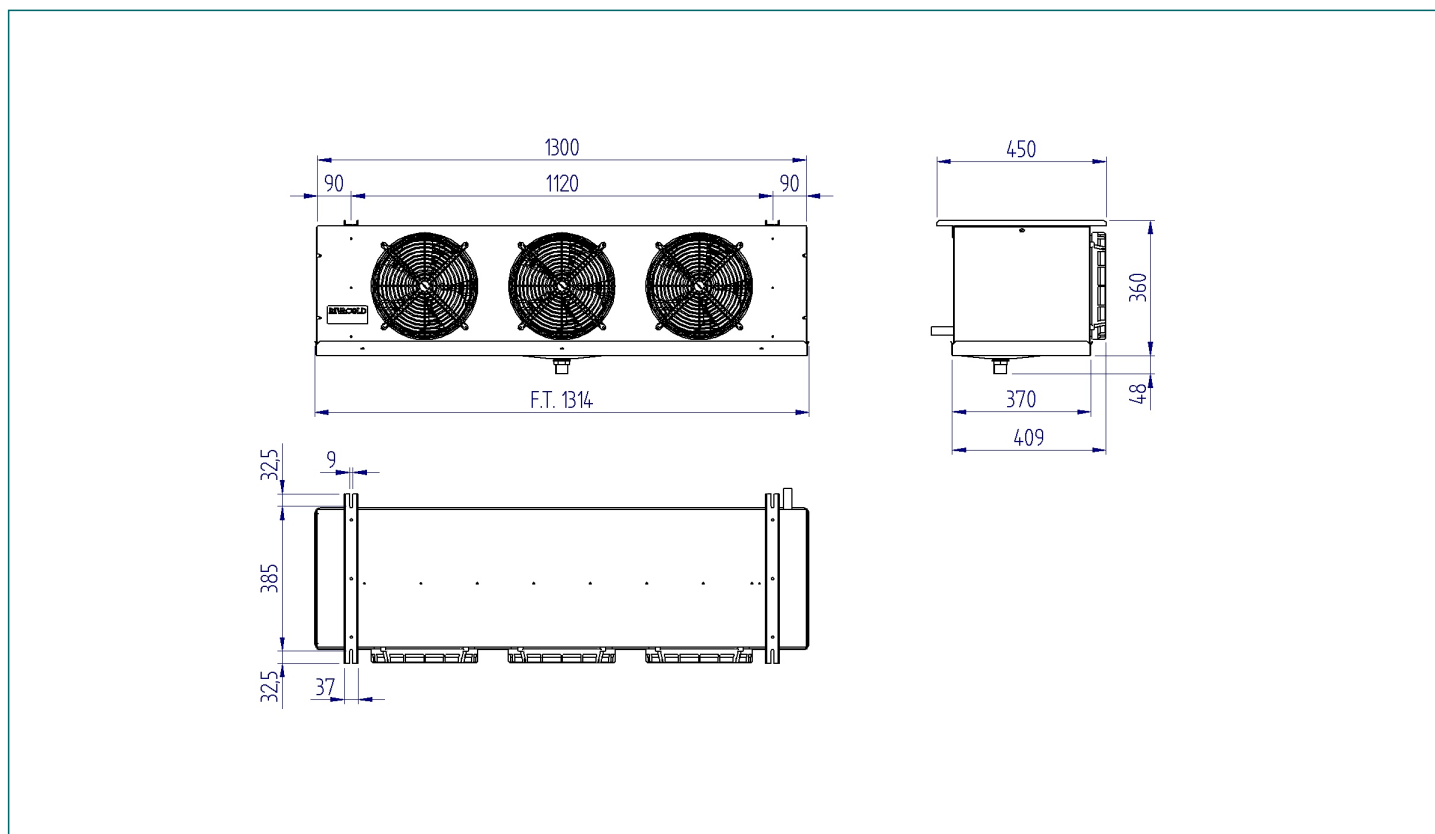
Product file : Unit coolers

Code	RCS3250606ED
Model	Ceiling cubic unit cooler
Range	RCS
Application	MBP
Net weight	31,6 kg
Inlet connection	12 mm-1/2" SAE
Outlet connection	22 mm
Drain connection	1" Gas (33mm)
Ped	0
Rows	6
Fin spacing	6
Circuit volume	6,92 dm ³
Total surface	21,4 m ²

Fan motor

Type	AC
Fans no.	3
Diameter	254 mm
Power supply	230/1/50
Defrost	1950 W
Speed	1300 rpm
Power consumption	240 W
Current consumption	1,05 A
Air flow	2362 m ³ /h
Air throw	11 m

Technical drawing - RCS3250606



Refrigerating capacity table (watt) - Gas : R404A

dT \ Tc	-20°C	-15°C	-10°C	-5°C	0°C	2°C	4°C	6°C	8°C	10°C	12°C	15°C
10	3910 ⁽¹⁾	4270	4530	4860	5220	5310	5380	5450	5520	5630	5790	6030
9	3590 ⁽¹⁾	3890	4110	4400	4720	4780	4840	4900	4950	5110	5230	5410
8	3240 ⁽¹⁾	3480	3660	3910	4190	4240	4270	4320	4390	4530	4640	4805
7	2850 ⁽¹⁾	3000	3190	3390	3640	3670	3680	3710	3830	3920	4020	4170
6	2430 ⁽¹⁾	2550	2710	2880	3100	3110	3130	3170	3290	3380	3470	3605
5	1960 ⁽¹⁾	2070	2200	2350	2540	2570	2610	2660	2730	2820	2910	3045

(1) Applicazione fuori dal campo consigliato